

Robots-Set ECBPMi

ROB-SET PLUS ECBPMi UR

Part no...:10.03.01.00617

<https://www.schmalz.com/10.03.01.00617>

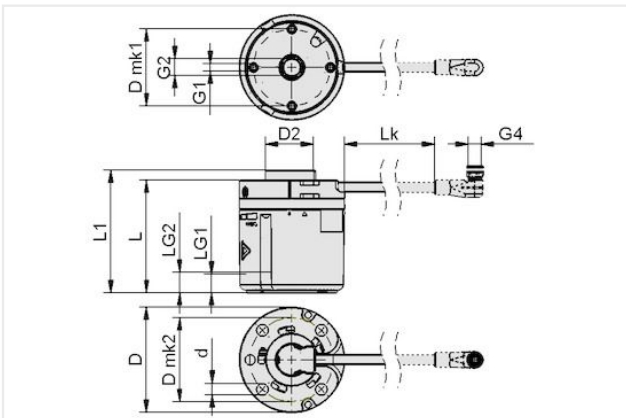
Home > Vacuum Technology for Automation > Vacuum Components > Vacuum Generators > Vacuum Generators End-of-Arm > Handling Sets ECBPMi > ROB-SET PLUS ECBPMi UR

Complete set for connecting and integrating the CobotPump ECBPMi to lightweight robots



Add. function: PLUS
for: Universal Robots
Type: UR3/5
contains: Suction cup
Degree of evacuation: 60 %

Design Data



Attribute	Value
Lk	120.50 mm
D	63 mm
D2	31.50 mm
D mk1	46 mm
D mk2	50 mm
G1	M4-F
G2	G1/4"-F
G4	M8-F
L	67.40 mm
L1	73.40 mm
LG1	6 mm
LG2	11.50 mm

Technical Data

Attribute	Value
Suction rate (max.)	1.60 l/min
Degree of evacuation	60 %
Voltage DC	24V - DC
Rated power	7.20 W
Rated current	0.30 A
Electrical connection	Elb fem conn M8, 8 pol

Contact Schmalz

J. Schmalz GmbH | Johannes-Schmalz-Str.1, D-72293 Glatten | +49 7443 2403-102 | customercenter@schmalz.de

Robots-Set ECBPMi

ROB-SET PLUS ECBPMi UR

Part no...:10.03.01.00617

<https://www.schmalz.com/10.03.01.00617>

Operating temperature	0 ... 40 °C
Protection type IP	IP 40
for	Universal Robots
Product family	ROB-SET-ECBPM

Spare parts



ECBPMi-RS-485 24V-DC FK

Part no...:10.03.01.00584

Voltage DC: 24V - DC

Rated current: 0.3 A

Electrical connection: Spring contact

Inputs/outputs: RS 485

Operating temperature: 0 ... 40 °C

Suction rate (max.): 1.6 l/min

Rated power: 7.2 W



SPB1 30 ED-65 G1/4-AG

Part no...:10.01.06.04530

Size: 30

Suction cup material: Elastodur

Material hardness [Shore A]: 65 Shore A

Thread G1: G1/4"-M

Number of folds: 1.5

Robots-Set ECBPMi

ROB-SET PLUS ECBPMi UR

Part no...:10.03.01.00617

<https://www.schmalz.com/10.03.01.00617>



SFF 20 SI-55 G1/4-AG

Part no...:10.01.01.14621

Size: 20

Suction cup material: Silicone SI

Material hardness [Shore A]: 55 Shore A

Material characteristics: FDA-compatible