

Robots-Set RECB

ROB-SET RECB NC UR

Part no...:10.02.03.00371

<https://www.schmalz.com/10.02.03.00371>

Home > Vacuum Technology for Robotics > Handling Sets > Handling sets RECB > ROB-SET RECB NC UR

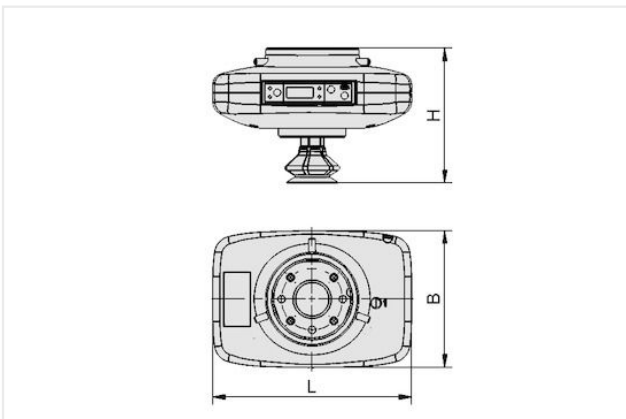
Complete set for connecting and integrating the RECB to lightweight robots



for: Universal Robots

Control valve: Normally closed

Design Data



Attribute	Value
L	162 mm
B	111 mm
H	109.50 mm

Technical Data

Attribute	Value
Suction rate (max.)	57.20 l/min
Degree of evacuation	85 %
Air consumption suction	82 l/min
Electrical connection	Male connect M12, 5 pol
Operating temperature	0 ... 40 °C
Weight	790 g
for	Universal Robots
Product family	ROB-SET-RECB

Contact Schmalz

J. Schmalz GmbH | Johannes-Schmalz-Str.1, D-72293 Glatten | +49 7443 2403-102 | customercenter@schmalz.de

Robots-Set RECB

ROB-SET RECB NC UR

Part no...:10.02.03.00371

<https://www.schmalz.com/10.02.03.00371>

Accessories



ASK WB-M12-5 295 WB-M8-8

Part no...:21.04.05.00823

Electrical connection: Elbow fem con M12, 5pol

Cable length: 295 mm

Spare parts



ERS RECB

Part no...:10.02.03.00372

Construction use: Pneumatic vacuum generator RECB

Robots-Set RECB

ROB-SET RECB NC UR

Part no...:10.02.03.00371

<https://www.schmalz.com/10.02.03.00371>



SPB1 40 ED-65 G1/4-AG

Part no...:10.01.06.03498

Size: 40

Suction cup material: Elastodur

Material hardness [Shore A]: 65 Shore A

Thread G1: G1/4"-M

Number of folds: 1.5