

## Robots-Set SGM-SV

ROB-SET-SGM-SV-40 UR

Part no...:10.01.17.00593

<https://www.schmalz.com/10.01.17.00593>

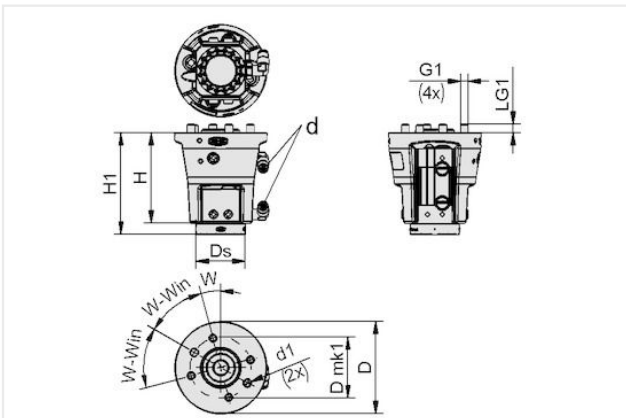
Home > Vacuum Technology for Automation > Vacuum Components > Special Grippers > Magnetic Grippers > Handling Sets SGM-SV > ROB-SET-SGM-SV-40 UR

### Complete set for connecting integrating the magnetic gripper SGM-SV to lightweight robots



for: Universal Robots

#### Design Data



Attribute	Value
D	75 mm
d	4 mm
d1	6.10 mm
Dmk	50 mm
G1	M6-M
H	74 mm
H1	83.20 mm
LG1	7 mm
W	15 °

#### Technical Data

Attribute	Value
Angle	45 °
Size	40
Weight	0.35 kg

#### Accessories

#### Contact Schmalz

J. Schmalz GmbH | Johannes-Schmalz-Str.1, D-72293 Glatten | +49 7443 2403-102 | [customercenter@schmalz.de](mailto:customercenter@schmalz.de)

## Robots-Set SGM-SV

ROB-SET-SGM-SV-40 UR

Part no...:10.01.17.00593

<https://www.schmalz.com/10.01.17.00593>



### NAEH-SCHA SMAGN-NPN S050

Part no...:10.01.17.00215

Construction shape vacuum switch: Magn. cylind. sensor - NPN

Voltage DC: 12-30V DC

Electrical connection: Male connect M12, 4 pol



### NAEH-SCHA SMAGN-PNP S051

Part no...:10.01.17.00199

Construction shape vacuum switch: Magn. cylind. sensor - PNP

Voltage DC: 15-30V DC

Electrical connection: Male connect M12, 4 pol



### VSL 4-2 PU

Part no...:10.07.09.00001

External diameter D: 4 mm

Internal diameter d: 2 mm

Length max.: 50 m

Material hose: PU

Bending radius min.: 20 mm

Pressure range (operating pressure): -0.95 ... 10.00 bar

Operating temperature: -40 ... 60 °C

## Robots-Set SGM-SV

ROB-SET-SGM-SV-40 UR

Part no...:10.01.17.00593

<https://www.schmalz.com/10.01.17.00593>



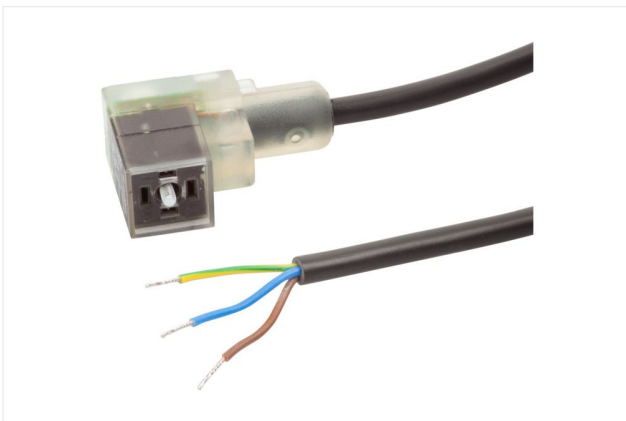
### ASK B-M12-4 5000 K-4P

Part no...:21.04.05.00263

Electrical connection: Fem connect M12, 4 pol

Material hose: PUR cable

Cable length: 5,000 mm



### ASK B-Form-C 5000 K-3P

Part no...:21.04.06.00084

Electrical connection: Fem connect Form C

Cable length: 5,000 mm

Material hose: PVC cable



### EMVP 8 24V-DC 5/3 NO

Part no...:10.05.02.00246

Nominal size: 8 mm

Voltage: 24V - DC

Control valve: Normally open

Connecting thread: G1/8"-F

Pressure range (operating pressure): 3.00 ... 10.00 bar

Control pressure range: 3.0 ... 10.0

Nominal flow rate: 42 m<sup>3</sup>/h

Thread G1: G1/8"-F

Operating temperature: °C

Voltage DC: 24V - DC

## Robots-Set SGM-SV

ROB-SET-SGM-SV-40 UR

Part no...:10.01.17.00593

<https://www.schmalz.com/10.01.17.00593>



### SET ROB-SET 50 UR 200

Part no...:10.01.17.00601

Construction use: Robot set

Pitch diameter D mk: 50 mm

for: Universal Robots

Weight: 130 g

Overall height: 200 mm

Pressure range (operating pressure): bar

Thread G1: M6-F

Operating temperature: °C



### VENT-BGR 24V-DC E-KETTE UR

Part no...:10.01.45.00032

Voltage DC: 24V - DC

Pressure range (operating pressure): 3.0 ... 10.0 bar

with: Energy chain

for: Universal Robots

Type: UR 3, 5

Length L: 1,760 mm

Weight: 2.5 kg



### VENT-BGR 24V-DC E-KETTE UR

Part no...:10.01.45.00033

Voltage DC: 24V - DC

Pressure range (operating pressure): 3.0 ... 10.0 bar

with: Energy chain

for: Universal Robots

Type: UR 10, 16

Length L: 2,170 mm

Weight: 2.7 kg

### Contact Schmalz

J. Schmalz GmbH | Johannes-Schmalz-Str.1, D-72293 Glatten | +49 7443 2403-102 | [customercenter@schmalz.de](mailto:customercenter@schmalz.de)

## Robots-Set SGM-SV

ROB-SET-SGM-SV-40 UR

Part no...:10.01.17.00593

<https://www.schmalz.com/10.01.17.00593>



### AD-ST-G S-M8-4 B-M12-4 A

Part no...:21.04.05.00579

Voltage: 60V-DC / 48V-AC

Pressure range (operating pressure): bar

Material: Plastic

Operating temperature: °C

Rated current: 4 A

Voltage DC: 60V-DC / 48V

Protection type IP: IP 67

Electrical connection: Male connect M8, 4 pole



### STV-W G1/8-AG 4

Part no...:10.08.02.00355

Weight: 15 g

Pressure range (operating pressure): -0.95 ... 16.00 bar

Thread G1: G1/8"-M

Hose diameter: 4 mm

Material: Brass

Surface: nickel plated

Operating temperature: -20 ... 80 °C



### ADP-E-TRI 40 SET

Part no...:10.01.17.00604

Weight: 89 g

Size: 40

Shape: Double prism

Workpiece diameter (min): 10 mm

Workpiece diameter (max): 30 mm

Pressure range (operating pressure): bar

Material: Aust. Stainless steel

Operating temperature: °C

## Robots-Set SGM-SV

ROB-SET-SGM-SV-40 UR

Part no...:10.01.17.00593

<https://www.schmalz.com/10.01.17.00593>



### SET ROB-SET 63 YASKAWA

Part no...:10.01.17.00602

Construction use: Robot set

Pitch diameter D mk: 63 mm

for: YASKAWA

Weight: 134 g

Pressure range (operating pressure): bar

Thread G1: M6-F

Operating temperature: °C



### SET ROB-SET 31.5 FANUC

Part no...:10.01.17.00603

Construction use: Robot set

Pitch diameter D mk: 31.5 mm

for: FANUC

Weight: 132 g

Pressure range (operating pressure): bar

Thread G1: M6-F

Operating temperature: °C

## Ersatzteile

### Contact Schmalz

J. Schmalz GmbH | Johannes-Schmalz-Str.1, D-72293 Glatten | +49 7443 2403-102 |  
customercenter@schmalz.de

## Robots-Set SGM-SV

ROB-SET-SGM-SV-40 UR

Part no...:10.01.17.00593

<https://www.schmalz.com/10.01.17.00593>



### SGM-SV 40 G1/4-IG

Art-Nr...:10.01.17.00229

Size: 40

Socket: G1/4"-F

Holding force max. friction ring: 100 N

Pressure range (operating pressure): 3.5 ... 6.0 bar



### ERS SCHR-NAEH SGM-S

Art-Nr...:10.01.17.00509

Pressure range (operating pressure): bar



### REIB-RING SGM 40 PU-55

Art-Nr...:10.01.17.00137

Construction use: Magnetic gripper

Size: 40

External diameter D: 40 mm

Internal diameter d: 26 mm